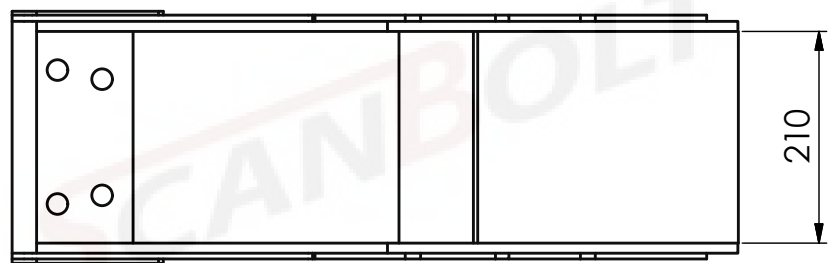
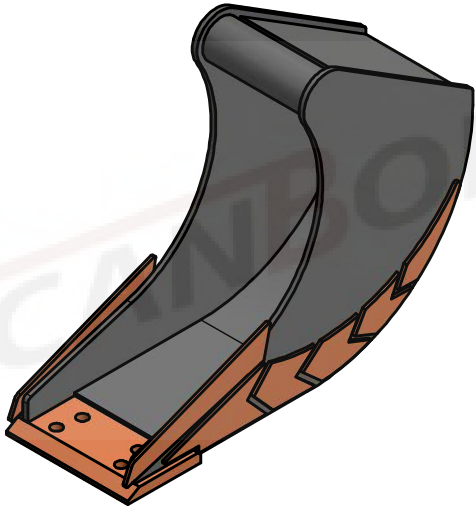


8 7 6 5 4 3 2 1



D

D

C

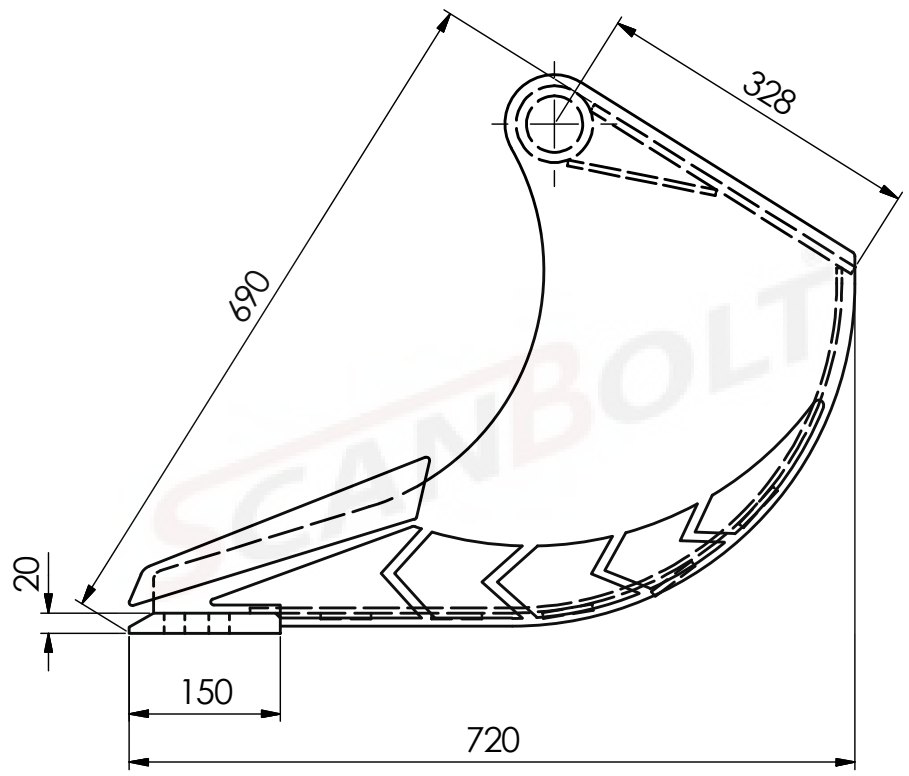
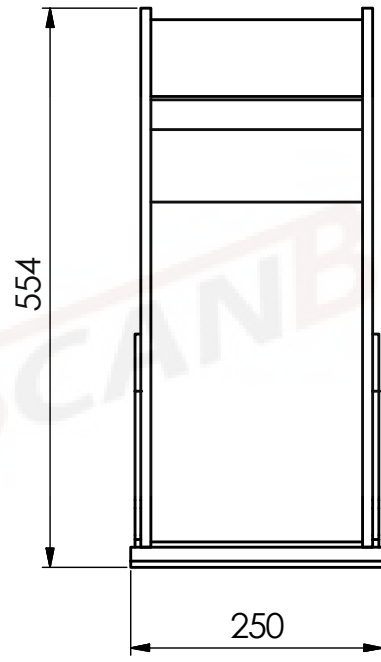
C

B

B

A

A



MATERIAL SPECIFICATION	
ST52.3	Grey
EN8D	Pink
HB 400	Light Orange
HB 450	Dark Orange
CASALLOY STEEL	Yellow

SCANBOLT®	
DESCRIPTION	25CM DIGGING BUCKET
MACHINE CLASS	3.5 - 4.9 TON
WEIGHT	56 Kg
HEAPED CAPACITY	47.7 LITERS

8 7 6 5 4 3 2 1